

Lift Higher - Lift Safer - Work Smarter

Contact Us

FREEDOM VEHICLE LIFTS, LLC. GENERAL INFORMATION

| | |
|----------|---|
| Address: | Freedom Vehicle Lifts, LLC. 31355 Co. 5 Blvd, Lake City, MN 55041 |
| Website: | www.freedomracelifts.com |

Table of Contents

| | |
|--|-----------|
| SAFETY | 1 |
| Important Safety Information | 1 |
| Inspect Lift Before Each Use | 1 |
| Safety Symbols | 2 |
| Safety Label Description | 3 |
| Safety Instructions | 3 |
| Safety Labels | 4 |
| PREPARATION | 7 |
| Before Use | 7 |
| Product Information | 7 |
| Specifications | 8 |
| Storage | 9 |
| Serial Number Plate and Location | 10 |
| QR Code Location | 10 |
| OPERATION | 11 |
| Lift Setup/Operation | 11 |
| MAINTENANCE | 15 |
| Periodical Maintenance | 15 |
| General Maintenance Guide | 16 |
| REPLACEMENT PARTS | 17 |
| Full Car Lift Side Assembly | 17 |
| Gear Box Assembly | 18 |
| Side Plate Slider Assembly | 19 |
| Lead Screw Assembly | 20 |
| Connecting Components | 21 |
| Wireless Power Unit | 22 |
| Decal-1 | 23 |
| Decal-2 | 24 |
| TROUBLESHOOTING | 25 |
| ONE YEAR LIMITED WARRANTY | 27 |

Important Safety Information

For your safety, read, understand, and follow the information provided with this product. The owner and operator of this Full Car Lift shall have an understanding of this equipment and safe operating procedures before attempting to use. The owner and operator shall be aware that use and repair of this Full Car Lift may require special tools and knowledge. Instructions and safety information shall be conveyed in the operators native language before use of this lift is authorized. If any doubt exists as to the safe and proper use of this lift, remove from service immediately.

Inspect Lift Before Each Use

Do not use the Full Car Lift if broken, cracked, or damaged parts (including labels) are noted. If the lift appears to be damaged in any way, operates abnormally, or is missing parts discontinue use and tag the lift as "OUT OF SERVICE" remove from service immediately and notify the manufacturer. If you suspect the lift was subjected to a shock load (a load dropped suddenly and unexpectedly on it), immediately discontinue use and tag the lift as "OUT OF SERVICE" until the lift has been checked by a Factory Authorized Service Center (contact distributor or manufacturer for a list of Authorized Service Centers). It is recommended that an annual inspection be done by qualified personnel. Replace worn or damaged parts with Freedom Vehicle Lifts Authorized Replacement Parts only. Labels and Owners Manuals are available from manufacturer.

Safety Symbols

The words DANGER, WARNING, CAUTION are used throughout the safety messages and decals in the manual or on the equipment. Statements with one of these words indicates a safety risk is involved. Be sure to observe the precautions indicated whenever a Safety Alert Symbol is present.

Safety Alert Symbol

This symbol is used to call attention to instructions concerning personal safety. Be sure to observe and follow these instructions. Take time to be careful!



The signal word DANGER on the equipment and in the manual identifies a hazardous situation which, if not avoided, WILL result in death or serious injury.



The signal word WARNING on the equipment and in the manual indicates a potentially hazardous situation which, if not avoided, COULD result in death or serious injury.



The signal word CAUTION on the equipment and in the manual indicates a potentially hazardous situation which, if not avoided, MAY result in minor or moderate injury. It may also be used to alert against unsafe practices.



This notice identifies procedures which must be followed to avoid damage to the equipment.

Safety Label Description

Decals are placed on the equipment to protect anyone working on or around this equipment, as well as the components of the equipment. All personnel operating or maintaining this equipment must familiarize themselves with the safety labels.

The safety labels are color coded to warn the operator of the various levels of machine hazards. The graphic below defines a standard industry label.

Make sure all safety labels are in place and clearly readable. Replace any damaged or missing safety labels with a factory replacement label.



Hazard Severity Level

Hazard Identification

How to Avoid Hazard

Hazard, Consequence, and/or How to Avoid Symbol



Make sure to study, understand and follow all Safety Instructions before operating this lift.

Safety Instructions

- Read Operator's Manual and follow all safety precautions.
- Study, understand and follow all instructions before operating this lift.
- Keep the operational area clear of people and animals while the lift is in use.
- Do Not exceed the rated capacity of the lift.
- Use only on solid, stable, level surface to prevent vehicle from tipping off of lift.
- Add additional jack stands to support the lifted vehicle.
- Lift only on areas of the vehicle that are structurally able to withstand the load.
- No alterations shall be made to this product.
- Do Not use an Impact Driver on this equipment as it could cause damage to the lift drive components.
- Do Not perform any type of maintenance on the lift while under load.
- Failure to heed these instructions may result in personal injury and/or property damage.

Safety Labels

FIGURE 1. Warning - Pinch Point Decal And Placement



FIGURE 2. Warning - Crushing Hazard Decal And Placement

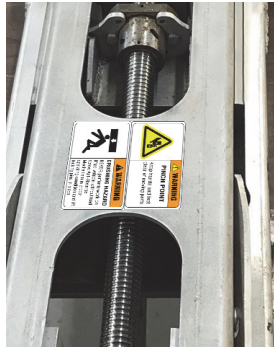
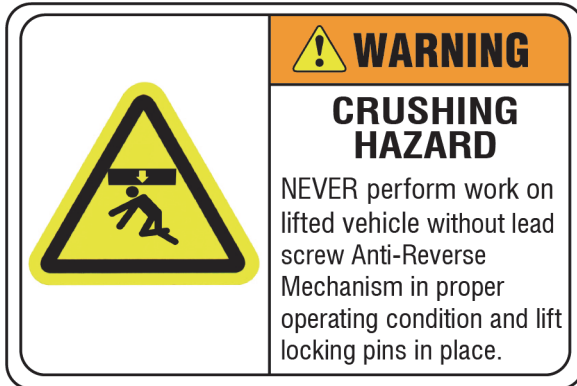
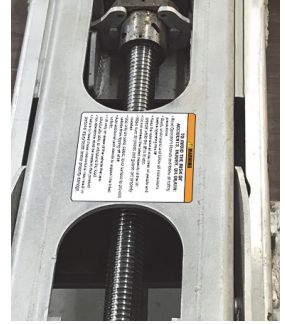


FIGURE 3. Warning - To Avoid The Risk Of Accidents, Injury Or Death Decal And Placement

WARNING

TO AVOID THE RISK OF ACCIDENTS, INJURY, OR DEATH:

- Read Operator's Manual and follow all safety precautions.
- Study, understand and follow all instructions before operating this lift.
- Keep the operational area clear of people and animals while the lift is in use.
- Do not exceed the rated capacity of the lift.
- Make sure all shields and guards are properly installed.
- Use only on solid, stable, level surface to prevent vehicle from tipping off of lift.
- Add additional jackstands to support the lifted vehicle.
- Lift only on areas of the vehicle that are structurally able to withstand the load.
- No alterations shall be made to this product.
- Failure to heed these instructions may result in personal injury/death and/or property damage.





Before Use

1. Read the Operating, Safety, and Maintenance Manual completely and familiarize yourself thoroughly with the product, its components, and recognize the potential hazards with its use.
2. Remove the Freedom Full Car Lift from its packaging and account for all parts per assembly diagram.

Product Information

Freedom Full Car Lifts are designed to lift and support rated capacity loads. However, the load should be additionally supported by four appropriately rated jack stands.



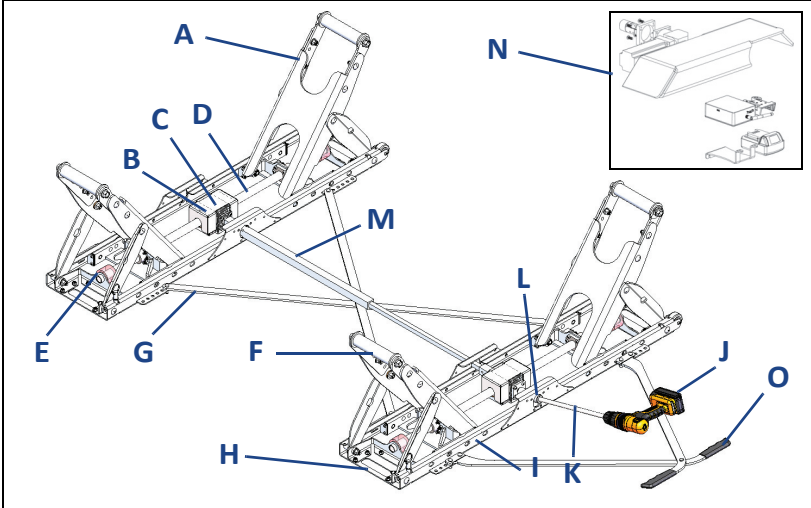
WARNING

For maximum safety, place auxiliary jack stands under vehicle to provide additional support and stability.

Specifications

| Model | Capacity | Min. Height | Max Height | Lift Size |
|-------|-----------|-------------|------------|--------------------------|
| FC32 | 3200 lbs. | 3.1" | 20" | 3.1"H x 12.5"W x 49"L |
| FC40 | 4000 lbs. | 3.9" | 22" | 3.9"H x 12.5"W x 50.25"D |

FIGURE 1. Freedom Full Car Lift Components



| LOCATION | DESCRIPTION |
|----------|---|
| A | Lift Arm |
| B | Right Angle Gear Box |
| C | Anti-Reversing Mechanism (under gear box cover) |
| D | Ball Screw |
| E | Ball Screw Nut |
| F | Support Bar |
| G | Cross Brace |
| H | Lift Base |
| I | Lift Locking Pin |
| J | Customer Supplied Cordless Drill |
| K | Input Drive Shaft Extension |
| L | Universal Joint |
| M | Telescoping Drive Shaft |
| N | Optional Power Unit |
| O | Handle |

Storage

1. For ease of transport and storage, disengage the Lift Locking Pins and rotate the Support Arms to their maximum down position. Insert the Lift Locking Pins in the Locking Pin Storage position brackets. Grab the lift by the openings in the Lift Arms to transport to a desired storage location. For maximum service life always store the Freedom Race lift under cover or indoors.
2. When loading the Freedom Race Lift in a vehicle or trailer, it is strongly recommended that 2 people be used to lift the Lift sections to avoid back strain or other injury.



It is strongly recommended to use two people to load the Lift sections into a vehicle or trailer to avoid injury.

Serial Number Plate

Please record your Freedom Vehicle Lift information in the spaces below for future reference. The Serial Number decal and QR Code are located on the top of the lift arm.

Remember to use the model number and serial number when requesting machine information or to order replacement parts.

| | |
|--|--|
|  | Freedom Vehicle Lifts, LLC. 31355 Co. 5 Blvd, Lake City, MN 55041 www.freedomracelifts.com |
| Model No. | <input type="text"/> |
| Mfg. Date | <input type="text"/> |
| Serial No. | <input type="text"/> |
| Lift Cap. | <input type="text"/> |



QR Code Location

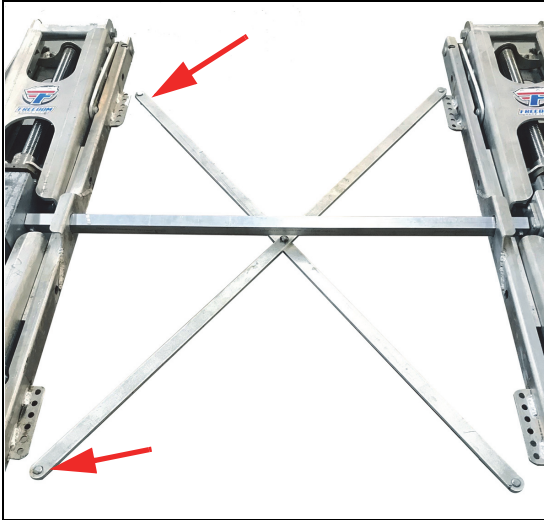
You can use your mobile device to scan the QR Code. The mobile device will then navigate to the Freedom Race Lift website.



Lift Setup/Operation

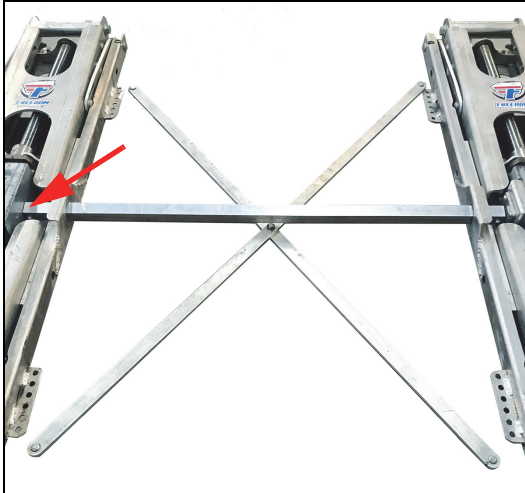
1. Insert Cross Brace onto lift sections and secure with detent pins.

FIGURE 2. Center Cross Brace Pin Locations



2. Install Telescoping Drive shaft onto 1st lift section and secure with detent pins.

FIGURE 3. Telescoping Drive Shaft Installed



3. Install the Lift Handle to the Lift section and secure with detent pins.

FIGURE 4. Full Car Lift Handle Installed



4. Position lift sections under vehicle lift points.

IMPORTANT

Lift sections are connected prior to locating under vehicle.

IMPORTANT

Cross Brace may need to be adjusted based on distance the 2 lift sections are apart from one another, to align with vehicle lift points.

5. Insert socket, universal joint, and extension onto drive gear box input shaft.

6. Use a 18-40 volt cordless drill in good working condition, a 1/4" drive to 3/8" drive adapter, a 7/16" 6 pt. deep well socket and 12" extension with universal joint. Lock drill chuck onto hex 1/4" to 3/8" input drive shaft adapter and connect extension and socket.

IMPORTANT

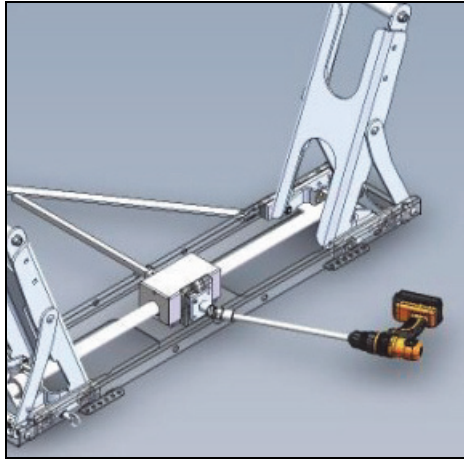
Confirm direction of rotation for raising and lowering. Depending on what section is being used, rotation may be opposite.



WARNING

Do Not use an Impact Driver on this equipment as it could cause damage to the lift drive components.

FIGURE 5. Drill Connection Location



7. Set the drill to slow speed and slowly depress the trigger watching to ensure the Lift Bars make solid contact with the vehicle lift points. A lift riser adjustment may be needed if lift points are not at same level. Once equal contact is made at all four points, continue to depress drill trigger to lift the vehicle to the desired working height.

IMPORTANT

As the lift raises, an internal anti-reverse rotation mechanism on each lift section prevents lift from lowering once the drill trigger is released.



WARNING

Once the Vehicle has reached full lift height install Lift Locking pins. For maximum safety, place auxiliary jack stands under vehicle to provide additional support.



CAUTION

Lower Lift to the down position being careful not to drive the lift lower than its maximum down position.

NOTE: Trying to drive the Lift higher or lower than its maximum up and down position will put undue stress on the operators hand, drill, and Lift.

8. Make sure to check under the vehicle to be sure it's clear of any people or animals before lowering the lift.



WARNING

Always be sure to check under the vehicle to be sure it's clear of any people or animals before lowering the lift.

9. To lower the Lift, set the drill to run in the opposite direction.



CAUTION

Remove Lift Locking Pin. Slowly press drill trigger to lower vehicle.

NOTE Failure to remove lift locking pin will prevent the Lift from lowering and put undue stress on the operators hand, drill, and Lift.



CAUTION

Lower Lift to the down position being careful not to drive the lift lower than its maximum down position.

NOTE: Trying to drive the Lift higher or lower than its maximum up and down position will put undue stress on the operators hand, drill, and Lift.

Periodical Maintenance

1. Keep the Freedom Race Lift free of dirt, water, or other debris.
2. Periodically inspect bevel gears under the covers. Clean and coat miter gears with a Molly Additive Based Grease.
3. Periodically inspect Anti-Reverse Rotation mechanism located under covers. The “Star” component of the mechanism should turn freely when Lift is raising, but should be stopped from rotating by the “Rocker” when lowering the lift. (See Figure 4 page 20)



WARNING

Never operate the Freedom Race Lift if the Anti-Reverse Rotation mechanism is not operating properly. Contact an Authorized Service Center for further information.

4. Periodically inspect the lead screws. Blow off dirt, debris, and other build up on lead screw with high pressure air and lightly coat with a spray cleaner/lubricant such as WD-40. Lubricate lead screw nut via grease fitting with a Moly Additive Based Grease yearly.
5. Periodically inspect the Lift Carriage and Support Rollers. Use high pressure air to blow out any debris in Lift Base Channels.



WARNING

Do Not perform any type of maintenance on the lift while under load.

General Maintenance Guide

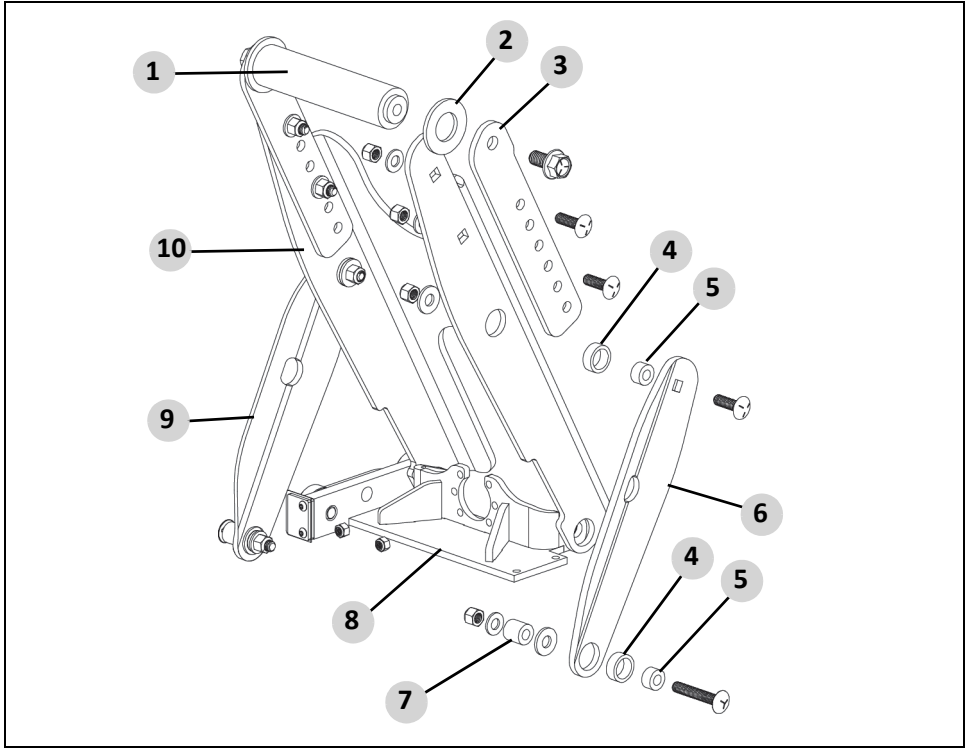
Some of the Freedom Race Lift components are minimum maintenance and do not require much service. Follow the chart for the components that require set service intervals. Refer to Lift Component and Replacement Part Diagrams for Component locations.

| Component(s) | Maintenance Task | Service Type | Interval |
|---------------------------------|---|---|-------------|
| Lead Screw | Clean with compressed air and light coating of cleaner | WD-40 | Weekly |
| Miter Gears | Clean and coat Miter Gears with a Moly additive grease. | Moly Additive Based Grease | Yearly |
| Lead Screw Nut | Clean and coat Miter Gears with a Moly additive grease. | Moly Additive Based Grease | Yearly |
| Locking Pins | Keep Locking pins free from dirt and debris | Compressed Air / WD-40 | Weekly |
| Lift Support Rollers | Keep base/track free of any debris with compressed air, wipe down. | Wipe Down | Weekly |
| Anti-Reverse Rotation Mechanism | Clean the Star to turn freely when raising the Lift. Stops rotating by the Rocker when Lift lowers. | Compressed Air, SAE 30 Lubricant | Monthly |
| Freedom Race Lift | Keep the Lift free of dirt, water, other debris | Wash and wipe down with compressed air to dry | As Required |

REPLACEMENT PARTS

Full Car Lift - Side Assembly

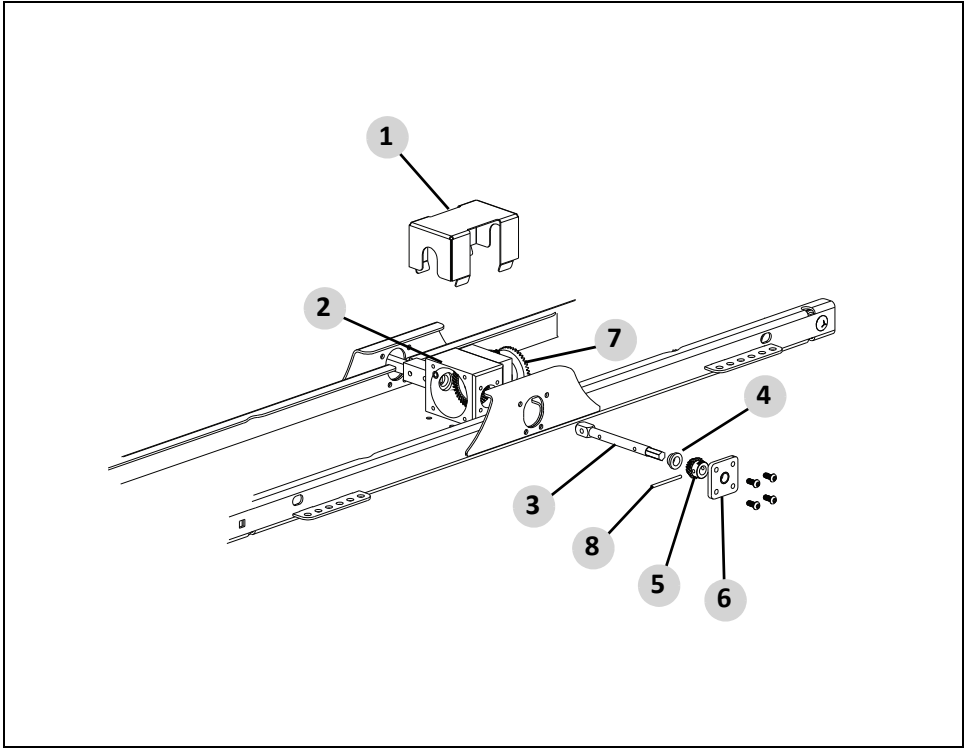
FIGURE 1. Full Car Lift - Side Assembly



| ITEM NO. | PART NO. FC32 | PART NO. FC40 | DESCRIPTION | QTY. |
|----------|---------------|---------------|--|------|
| | FC32-000 | FC40-000 | FULL CAR LIFT, SIDE ASSEMBLY | 2 |
| | FC32-010 | FC40-010 | SLIDER ASSEMBLY | 2 |
| 1 | FC32-006 | FC40-006 | SUPPORT BAR | 4 |
| 2 | 90126A038 | 90126A038 | WASHER, STEEL SAE, ZINC PLATED | 8 |
| 3 | FC32-005 | FC40-005 | EXTENSION PLATE | 8 |
| 4 | 2868T178 | 2868T178 | SLEEVE BEARING, HIGH LD OIL EMBEDDED 863 | 20 |
| 5 | FC32-046 | FC40-046 | PIVOT BUSHING 3/8" | 16 |
| 6 | FC32-030 | FC40-030 | LINK ARM | 4 |
| 7 | 92510A805 | 92510A805 | MODIFIED SPACER | 8 |
| 8 | FC32-011 | FC40-011 | SLIDE WELDMENT | 4 |
| 9 | FC32-031 | FC40-031 | LINK ARM | 4 |
| 10 | FC32-004 | FC40-004 | LIFT ARM | 4 |

Gear Box Assembly

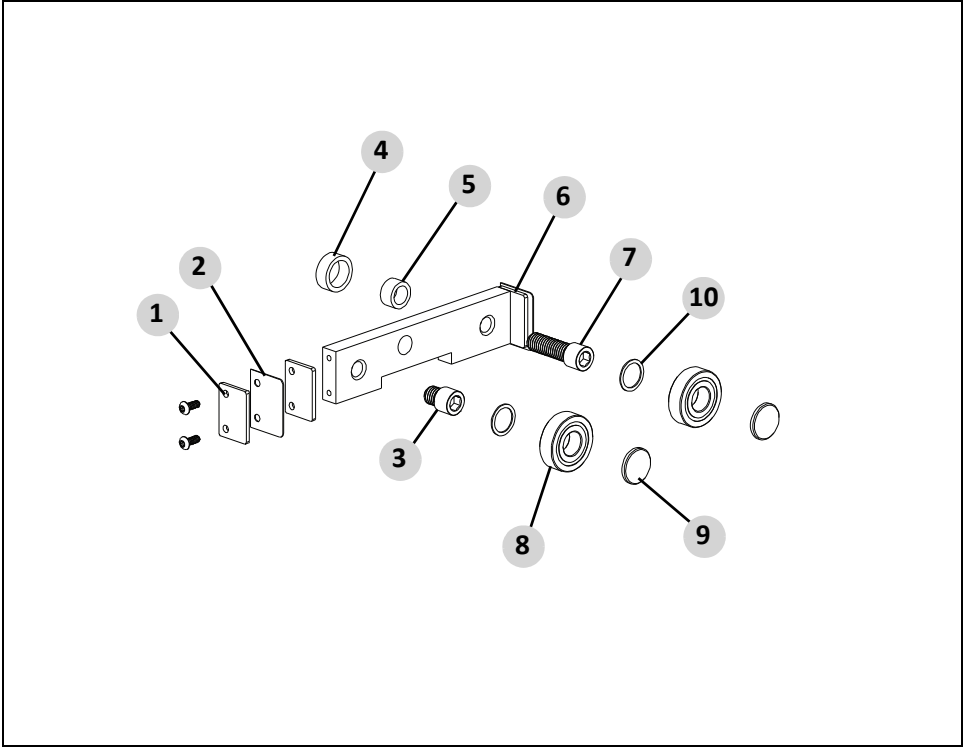
FIGURE 2. Gear Box Assembly



| ITEM NO. | PART NO. FC32 | PART NO. FC40 | DESCRIPTION | QTY. |
|----------|---------------|---------------|-------------------------------------|------|
| 1 | FC32-025 | FC40-025 | GEARBOX COVER | 2 |
| | ----- | FC40-020 | GEARBOX ASSEMBLY | 1 |
| 2 | FC32-021 | FC40-021 | GEARBOX MAIN HOUSING | 2 |
| 3 | FC32-024 | FC40-024 | DRIVE SHAFT | 4 |
| 4 | 6338K417 | 6338K417 | OIL EMBEDDED FLANGED SLEEVE BEARING | 4 |
| 5 | SB1_5-1845 | SB2_1845 | KHK SB1.5 1845 MOD GEAR | 2 |
| 6 | FC32-023 | FC40-023 | GEARBOX FRONT PLATE | 2 |
| 7 | SB1_5-4518 | SB2_4518 | K14K 4518 MOD GEAR | 4 |
| 8 | 90692A725 | 90692A727 | GEAR PIN | 1 |

Side Plate Slider Assembly

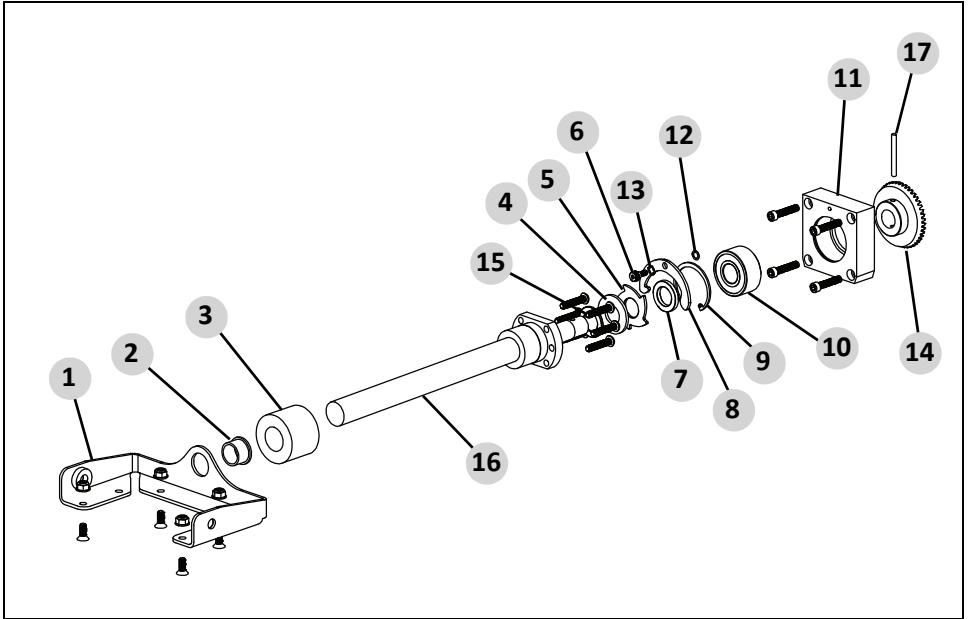
FIGURE 3. Side Plate Slider Assembly



| ITEM NO. | PART NO. FC32 | PART NO. FC40 | DESCRIPTION | QTY. |
|----------|---------------|---------------|---|------|
| 1 | FC32-056 | FC40-056 | WIPER STIFFENER | 32 |
| 2 | FC32-055 | FC40-055 | TRACK WIPER | 16 |
| 3 | FC32-048 | FC40-048 | BEARING AXLE SHORT | 8 |
| 4 | 2868T178 | 2868T178 | HIGH LD OIL EMBEDDED SLEEVE BEARING 863 | 20 |
| 5 | FC32-047 | FC40-047 | PIVOT BUSHING 1/2" | 8 |
| 6 | FC32-015 | FC40-015 | SIDE PLATE SLIDER | 8 |
| 7 | FC32-049 | FC40-049 | BEARING AXLE LONG | 8 |
| 8 | 5972K44 | 5972K44 | BALL BEARING | 16 |
| 9 | FC32-057 | FC40-057 | SLIDER GUIDE | 16 |
| 10 | 95606A250 | 95606A250 | NYLON PLASTIC WASHER | 16 |

Lead Screw Assembly

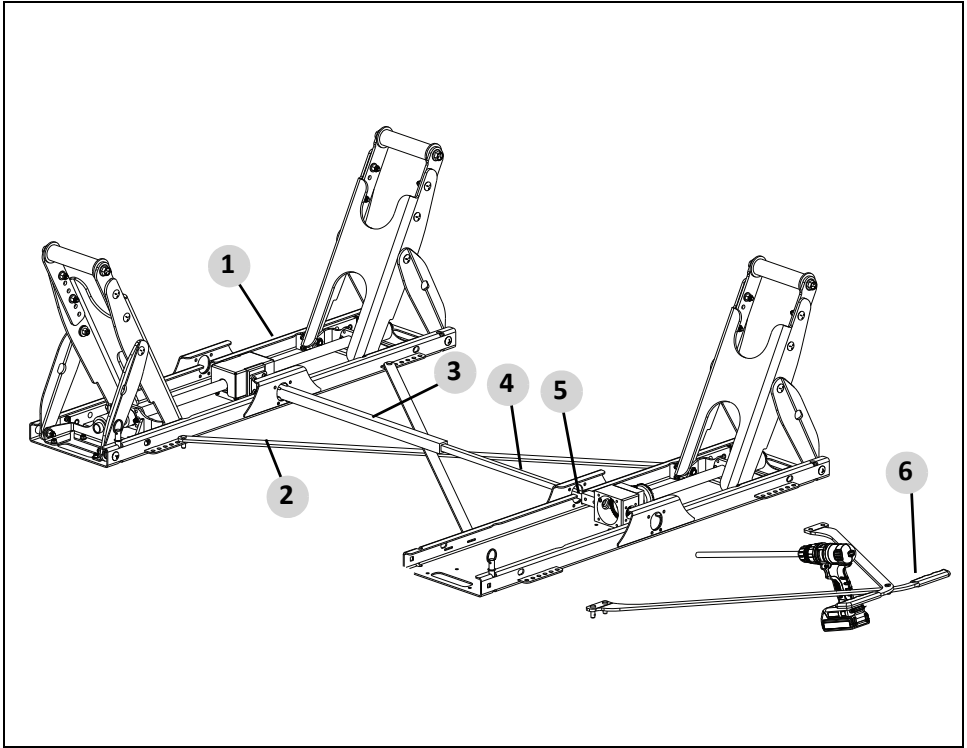
FIGURE 4. Lead Screw Assembly



| ITEM NO. | PART NO. FC32 | PART NO. FC40 | DESCRIPTION | QTY. |
|----------|---------------|---------------|-------------------------------------|------|
| 1 | FC32-002 | FC40-002 | END BEARING SUPPORT | 4 |
| 2 | 6659K41 | 6659K41 | OIL EMBEDDED FLANGED SLEEVE BEARING | 4 |
| 3 | FC32-059 | FC40-059 | BUMPER, 25MM ID | 4 |
| 4 | 2011N126 | 2011N129 | OIL EMBEDDED THRUST BRONZE BEARING | 4 |
| 5 | FC32-032 | FC40-032 | RATCHET PLATE | 4 |
| 6 | 91259A422 | 91259A422 | SHOULDER SCREW, ALLOY STEEL | 4 |
| 7 | FC32-028 | FC40-028 | BEARING SPACER | 4 |
| 8 | FC32-033 | FC40-033 | RATCHET CATCH | 4 |
| 9 | 98455A727 | 98455A362 | INTERNAL RETAINING RING | 4 |
| 10 | 52042RS | 52052RS | BALL BEARING, 20MM ID | 4 |
| 11 | FC32-022 | FC40-022 | GEARBOX BEARING HOUSING | 4 |
| 12 | 90482A414 | 90482A414 | SPRING STEEL RING SHIM, 1074-1095 | 4 |
| 13 | 90134A029 | 90134A029 | STEEL TRIPLE WAVE WASHER | 4 |
| 14 | SB1_5-4518 | SB2_4518 | KHK 4518 MOD GEAR | 4 |
| 15 | FC32-027 | FC40-027 | THRUST SPACER | 4 |
| 16 | SFU2505 | SFU3205 | BALL SCREW ASSEMBLY | 4 |
| 17 | 90655A728 | 90655A749 | GEAR PIN | 1 |

Connecting Components

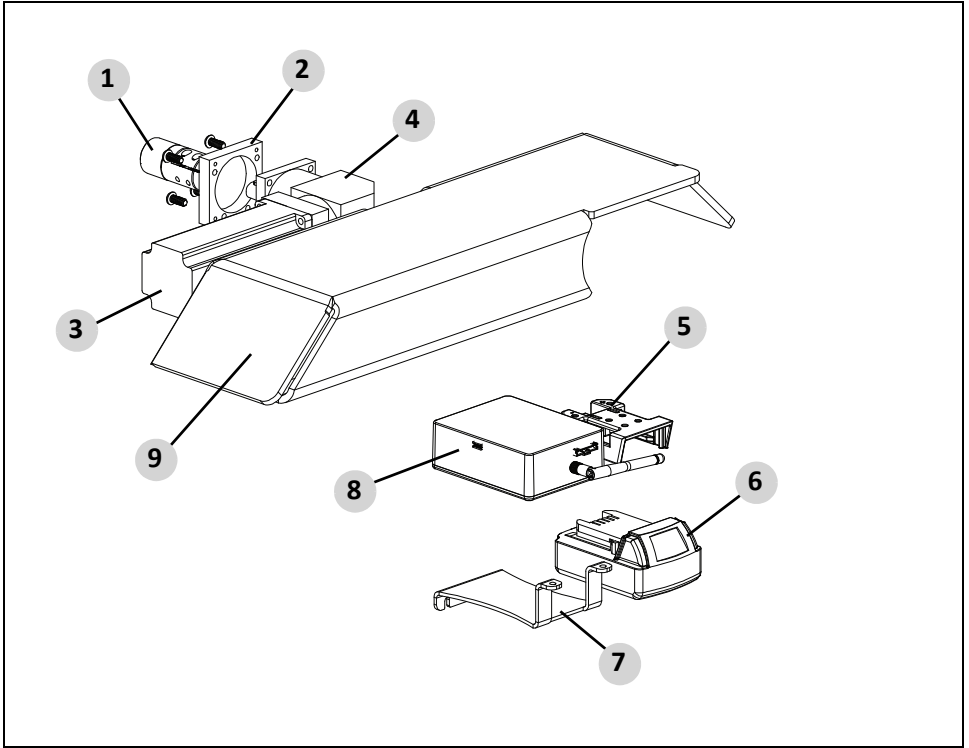
FIGURE 5. Connecting Components



| ITEM NO. | PART NO. FC32 | PART NO. FC40 | DESCRIPTION | QTY. |
|----------|---------------|---------------|-----------------------------|------|
| 1 | FC32-009 | FC40-009 | BASE WELDMENT | 2 |
| 2 | FC32-026 | FC40-026 | X-BRACE LINKAGE | 2 |
| 3 | FC32-018 | FC40-018 | TELESCOPING SHAFT, OUTER | 1 |
| 4 | FC32-017 | FC40-017 | TELESCOPING SHAFT, INNER | 1 |
| 5 | FC32-019 | FC40-019 | TELESCOPING SHAFT CONNECTOR | 1 |
| 6 | FC32-040 | FC40-040 | HANDLE ASSEMBLY | 1 |

Wireless Power Unit

FIGURE 6. Wireless Power Unit




| ITEM NO. | PART NO. FC32 | PART NO. FC40 | DESCRIPTION | QTY. |
|----------|---------------|---------------|-------------------------------|------|
| 1 | FC-EMB-004 | FC-EMB-004 | MACHINED COUPLER | 1 |
| 2 | FC-EMB-003 | FC-EMB-003 | MOTOR ADAPTER | 1 |
| 3 | ---- | ---- | POWER DRIVE MOTOR | 1 |
| 4 | ---- | ---- | 90 DEGREE PLANETARY GEARBOX | 1 |
| 5 | ---- | ---- | M18 BATTERY MOUNT | 1 |
| 6 | ---- | ---- | MILWAUKEE M18 LITHIUM BATTERY | 1 |
| 7 | FC-EMB-002 | FC-EMB-002 | ELECTRONICS MOUNT STRAP | 1 |
| 8 | 1590BB | 1590BB | BOARD AND ENCLOSURE | 1 |
| 9 | FC-EMB-001 | FC-EMB-001 | FC ELECTRONICS COVER | 1 |

Decals-1

FIGURE 7. Decals

1




WARNING

PINCH POINT

Keep hands and feet clear of moving parts.

2




WARNING

CRUSHING HAZARD

NEVER perform work on lifted vehicle without lead screw Anti-Reverse Mechanism in proper operating condition and lift locking pins in place.

3




WARNING

TO AVOID THE RISK OF ACCIDENTS, INJURY, OR DEATH:

- Read Operator's Manual and follow all safety precautions.
- Study, understand and follow all instructions before operating this lift.
- Keep the operational area clear of people and animals while the lift is in use.
- Do not exceed the rated capacity of the lift.
- Make sure all shields and guards are properly installed.
- Use only on solid, stable, level surface to prevent vehicle from tipping off of lift.
- Add additional jackstands to support the lifted vehicle.
- Lift only on areas of the vehicle that are structurally able to withstand the load.
- No alterations shall be made to this product.
- Failure to heed these instructions may result in personal injury/death and/or property damage.

4



Freedom Vehicle Lifts, LLC.

31355 Co. 5 Blvd,
Lake City, MN 55041
www.freedomracelifts.com

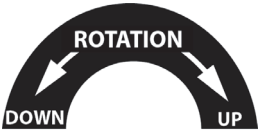
Model No.

Mfg. Date

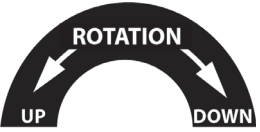
Serial No.

Lift Cap.

5



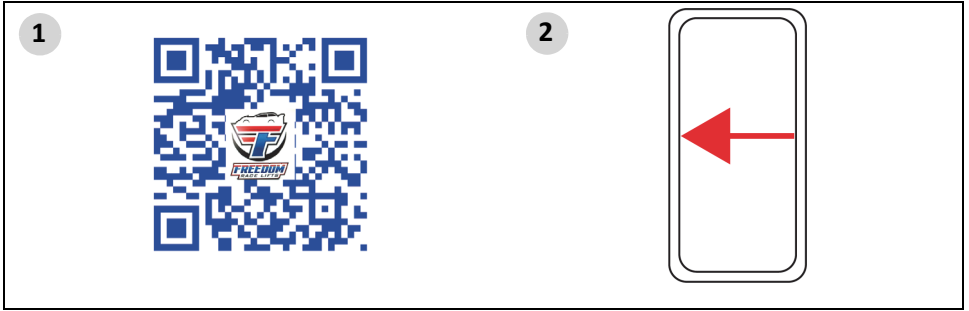
6



| ITEM NO. | PART NO. | DESCRIPTION | QTY. |
|----------|----------|---------------------------------|------|
| 1 | FLD-005 | PINCH POINT DECAL | 1 |
| 2 | FLD-004 | CRUSHING HAZARD DECAL | 1 |
| 3 | FLD-010 | TO AVOID RISK DECAL | 1 |
| 4 | FLD-001 | SERIAL NUMBER PLATE DECAL | 1 |
| 5 | FLD-003 | ROTATION CLOCKWISE DECAL | 1 |
| 6 | FLD-011 | ROTATION COUNTERCLOCKWISE DECAL | 1 |

Decals-2

FIGURE 8. Decals



| ITEM NO. | PART NO. | DESCRIPTION | QTY. |
|----------|----------|-------------------------------|------|
| 1 | FLD-002 | QR CODE DECAL | 1 |
| 2 | FLD-00 | HIGH LOW MIN MAX MARKER DECAL | 1 |



WARNING

Instructions are necessary before operating or servicing this equipment. Read and understand the Operation & Maintenance Manual and the decals. Follow warnings and instructions in the manual when making repairs, adjustments or servicing. Check for correct function after adjustments, repairs or service. Untrained operators and failure to follow instructions can cause injury or death.

Use the following chart to assist troubleshooting the Freedom Race Lift. The chart shows a list of symptoms, possible causes, and corrective actions to return the Lift to normal operation.

| Symptom | Possible Causes | Corrective Action |
|----------------------------|---|--|
| Lift will not lift vehicle | Drill or Power Unit Battery needs charging. Load exceeds lift capability. Debris caught in Lift base channel and carriages. | Charge battery. Do not exceed Lift load capability. Clean Lift of all debris that may be caught in Lift base channel and carriage path. |
| Lift reverses under load | Anti-Reverse Rotation mechanism not engaging | Inspect and perform maintenance |
| Lift will not lower | Drill or Power Unit Battery needs charging. Lift Locking Pin in place. | Charge battery. Remove lift locking pin, insure pin is not under load prior to removing. |



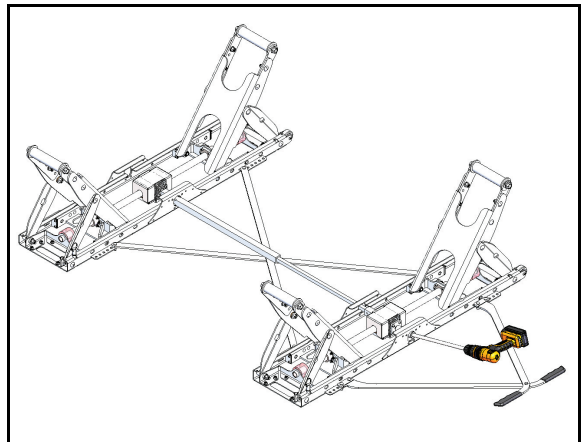
ONE YEAR LIMITED WARRANTY

For a period of one (1) year from date of purchase, Freedom Vehicle Lifts, LLC will repair or replace, at its option, without charge, any of its products which fail due to a defect in material or workmanship under normal usage. This limited warranty is a consumer's exclusive remedy

Performance of any obligation under this warranty may be obtained by returning the warranted product, freight prepaid, to Freedom Vehicle Lifts, LLC Warranty Service Department, 31355 Co. 5 Blvd, Lake City, MN 55041, except where such limitations and exclusions are specifically prohibited by applicable law.

1. THE CONSUMER'S SOLE AND EXCLUSIVE REMEDY SHALL BE THE REPAIR OR REPLACEMENT OF DEFECTIVE PRODUCTS AS DESCRIBED ABOVE.
2. FREEDOM VEHICLE LIFTS, LLC SHALL NOT BE LIABLE FOR ANY CONSEQUENTIAL OR INCIDENTAL DAMAGE OR LOSS WHATSOEVER.
3. ANY IMPLIED WARRANTIES, INCLUDING WITHOUT LIMITATION THE IMPLIED WARRANTIES OF MERCHANTABILITY AND FITNESS FOR A PARTICULAR PURPOSE, SHALL BE LIMITED TO ONE YEAR, OTHERWISE THE REPAIR, REPLACEMENT, OR REFUND AS PROVIDED UNDER EXPRESS LIMITED WARRANTY IS THE EXCLUSIVE REMEDY OF THE CONSUMER, AND IS PROVIDED IN LIEU OF ALL OTHER WARRANTIES, EXPRESSED OR IMPLIED.
4. ANY MODIFICATION, ALTERATION, ABUSE, UNAUTHORIZED SERVICE, OR ORNAMENTAL DESIGN VOIDS THIS WARRANTY AND IS NOT COVERED BY THIS WARRANTY.

Some states do not allow limitations on how long an implied warranty lasts, so the above limitation may not apply to you, the consumer. Some states do not allow the exclusion or limitation of incidental or consequential damages, so the above limitation or exclusion may not apply to you, the consumer. This warranty gives you specific legal rights, and you may have other rights which vary from state to state.







31355 Co. 5 Blvd,
Lake City, MN 55041
Website: www.freedomracelifts.com