



Lift Higher - Lift Safer - Work Smarter

---

## Contact Us

### FREEDOM VEHICLE LIFTS, LLC. GENERAL INFORMATION

Address:	Freedom Vehicle Lifts, LLC. 31355 Co. 5 Blvd, Lake City, MN 55041
Website:	<a href="http://www.freedomracelifts.com">www.freedomracelifts.com</a>



# Table of Contents

<b>SAFETY</b> .....	<b>1</b>
Important Safety Information .....	1
Inspect Lift Before Each Use .....	1
Safety Symbols .....	2
Safety Label Description .....	3
Safety Instructions .....	3
Safety Labels .....	4
<b>PREPARATION</b> .....	<b>9</b>
Before Use .....	9
Product Description .....	9
Specifications .....	10
Storage .....	11
Serial Number Plate and Location .....	12
QR Code Location .....	12
<b>OPERATION</b> .....	<b>13</b>
Lift Setup/Operation .....	13
<b>MAINTENANCE</b> .....	<b>17</b>
Periodical Maintenance .....	17
General Maintenance Guide .....	18
<b>REPLACEMENT PARTS</b> .....	<b>19</b>
Mast And Gear Shaft Assembly .....	19
Stabilizing Leg Assembly .....	20
Lift Carriage Assembly .....	21
Gear Box Assembly .....	22
Power Unit .....	23
Wheel / Axle Assembly .....	24
Decal-1 .....	25
Decal-2 .....	26
<b>TROUBLESHOOTING</b> .....	<b>27</b>
<b>ONE YEAR LIMITED WARRANTY</b> .....	<b>29</b>

## Important Safety Information

For your safety, read, understand, and follow the information provided with this product. The owner and operator of this Bumper Lift shall have an understanding of this equipment and safe operating procedures before attempting to use. The owner and operator shall be aware that use and repair of this Bumper Lift may require special tools and knowledge. Instructions and safety information shall be conveyed in the operators native language before use of this lift is authorized. If any doubt exists as to the safe and proper use of this lift, remove from service immediately.

## Inspect Lift Before Each Use

Do not use Bumper Lift if broken, cracked, or damaged parts (including labels) are noted. If the lift appears to be damaged in any way, operates abnormally, or is missing parts discontinue use and tag the lift as "OUT OF SERVICE" remove from service immediately and notify the manufacturer. If you suspect the lift was subjected to a shock load (a load dropped suddenly and unexpectedly on it), immediately discontinue use and tag the lift as "OUT OF SERVICE" until the lift has been checked by a Factory Authorized Service Center (contact distributor or manufacturer for a list of Authorized Service Centers). It is recommended that an annual inspection be done by qualified personnel. Replace worn or damaged parts with Freedom Vehicle Lifts Authorized Replacement Parts only. Labels and Owners Manuals are available from manufacturer.

# Safety Symbols

The words DANGER, WARNING, CAUTION are used throughout the safety messages and decals in the manual or on the equipment. Statements with one of these words indicates a safety risk is involved. Be sure to observe the precautions indicated whenever a Safety Alert Symbol is present.



## Safety Alert Symbol

This symbol is used to call attention to instructions concerning personal safety. Be sure to observe and follow these instructions. Take time to be careful!



**DANGER**

The signal word **DANGER** on the equipment and in the manual identifies a hazardous situation which, if not avoided, WILL result in death or serious injury.



**WARNING**

The signal word **WARNING** on the equipment and in the manual indicates a potentially hazardous situation which, if not avoided, COULD result in death or serious injury.



**CAUTION**

The signal word **CAUTION** on the equipment and in the manual indicates a potentially hazardous situation which, if not avoided, MAY result in minor or moderate injury. It may also be used to alert against unsafe practices.

**IMPORTANT**

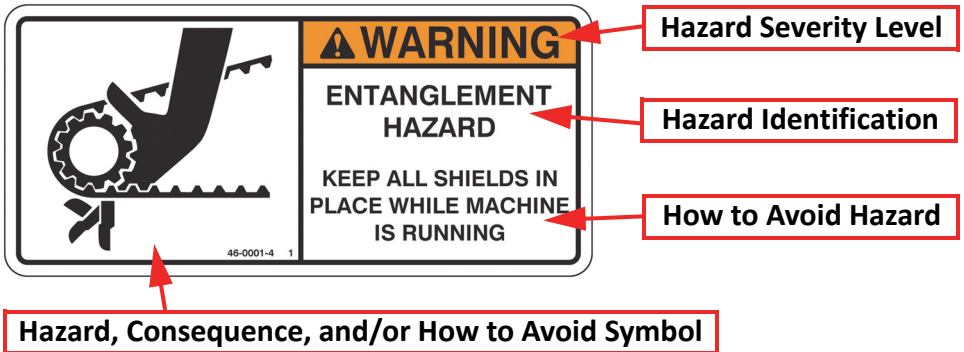
This notice identifies procedures which must be followed to avoid damage to the equipment.

# Safety Label Description

Decals are placed on the equipment to protect anyone working on or around this equipment, as well as the components of the equipment. All personnel operating or maintaining this equipment must familiarize themselves with the safety labels.

The safety labels are color coded to warn the operator of the various levels of machine hazards. The graphic below defines a standard industry label.

Make sure all safety labels are in place and clearly readable. Replace any damaged or missing safety labels with a factory replacement label.



Make sure to study, understand and follow all Safety Instructions before operating this lift.

# Safety Instructions

- Read Operator's Manual and follow all safety precautions.
- Study, understand and follow all instructions before operating this lift.
- Lower the stabilizer arms and install the locking pins before using the lift.
- Keep the operational area clear of people and animals while the lift is in use.
- Do not exceed the rated capacity of the lift.
- Use only on solid, stable, level surface to prevent vehicle from tipping off of lift.
- Block vehicle wheels and add additional jack stands to support the lifted vehicle.
- Do not move or dolly the vehicle while on the lift.
- Lift only on areas of the vehicle that are structurally able to withstand the load.
- No alterations shall be made to this product.
- Do Not use an Impact Driver on this equipment as it could cause damage to the lift drive components.
- Do Not perform any type of maintenance on the lift while under load.
- Failure to heed these instructions may result in personal injury and/or property damage.

# Safety Labels

FIGURE 1. Warning - Pinch Point Decal And Placement



FIGURE 2. Warning - Crushing Hazard Decal And Placement





**FIGURE 3. Warning - To Avoid The Risk Of Accidents, Injury Or Death  
Decal And Placement**

 **WARNING**

**TO AVOID THE RISK OF  
ACCIDENTS, INJURY, OR DEATH:**

- Read Operator's Manual and follow all safety precautions.
- Study, understand and follow all instructions before operating this lift.
- Lower the support arms and install the locking pins before using the lift.
- Keep the operational area clear of people and animals while the lift is in use.
- Do not exceed the rated capacity of the lift.
- Make sure all shields and guards are properly installed.
- Use only on solid, stable, level surface to prevent vehicle from tipping off of lift.
- Block vehicle wheels and add additional jack stands to support the lifted vehicle.
- Do not move or dolly the vehicle while on the lift.
- Lift only on areas of the vehicle that are structurally able to withstand the load.
- No alterations shall be made to this product.
- Failure to heed these instructions may result in personal injury and/or property damage.



**FIGURE 4. Warning - Avoid Injury Or Death Decal And Placement**



**FIGURE 5. Caution - Equipment Damage / Personal Injury Decal And Placement**



**FIGURE 6. Caution - Equipment Damage / Personal Injury Decal And Placement**





## Before Use

1. Read the Operating, Safety, and Maintenance Manual completely and familiarize yourself thoroughly with the product, its components, and recognize the potential hazards with its use.
2. Remove the Freedom Bumper Lift from its packaging and account for all parts per assembly diagram. Refer to Figure 2.
3. Insert transport wheels onto axles and secure with spring locking rings at ends of axles.
4. Tip Bumper Lift back and rotate support arms down and lock into position with support arm locking pins.

**FIGURE 1. Locking Rings And Locking Pins Installed**



## Product Description

Freedom Bumper Lifts are designed to lift and support rated capacity loads consisting of one end or one side of a vehicle. However, the load should be additionally supported by a pair of appropriately rated jack stands.



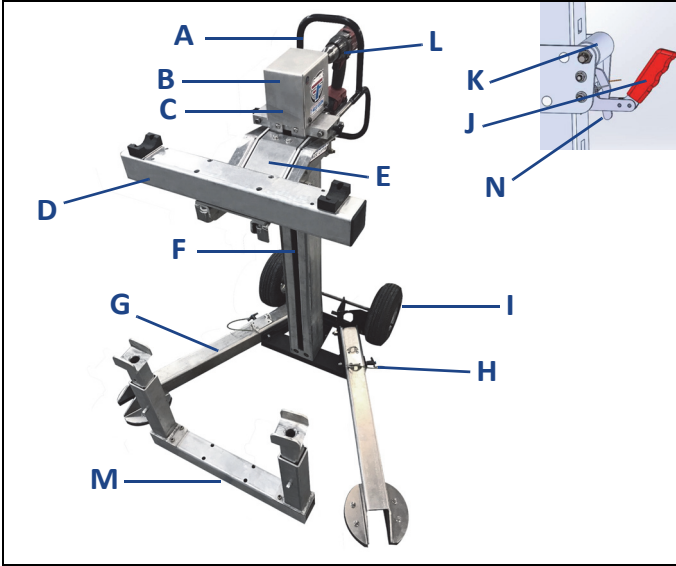
## WARNING

**For maximum safety, place auxiliary jack stands under vehicle to provide additional support and stability.**

# Specifications

Model	Capacity	Min. Height	Max Height	Lift Size
B25	2500 lbs.	8"	40"	48.5"H x 42"W x 36"D

**FIGURE 2. Freedom Bumper Lift Components**



LOCATION	DESCRIPTION
A	Handle And Drill Holster Assembly
B	Top Cover
C	Anti-Reversing Mechanism (inside)
D	Lift Beam
E	Lift Carriage Assembly
F	Mast with Lead Screw
G	Stabilizing Leg Assembly
H	Stabilizing Leg Locking Pin
I	Transport Wheels
J	Safety Catch Assembly
K	Roller Assembly
L	Customer Supplied Cordless Drill or Optional Power Unit
M	Lift Beam Extension
N	Safety Catch Reset Tab

# Storage

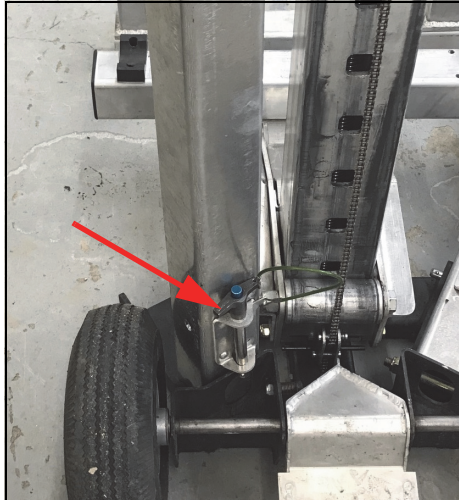
1. For ease of transport and storage, disengage the support arm locking pins. Tip the Lift back and rotate the support arms to their vertical up position.

**FIGURE 3. Support Arm Locking Pin Removal Location**



2. Insert the support arm locking pins in the support arm storage position brackets to hold the support arms in place.

**FIGURE 4. Support Arm Locking Pin Storage Location**



3. Tilt the Lift back using the handle and roll the Lift to a desired storage location. For maximum service life always store the Freedom Race Lift under cover or indoors.

4. When loading the Freedom Race Lift in a vehicle or trailer, it is strongly recommended that 2 people be used to lift it to avoid back strain or other injury.



**It is strongly recommended to use two people to load the Lift into a vehicle or trailer to avoid injury.**

## Serial Number Plate

Please record your Freedom Vehicle Lift information in the spaces below for future reference. The Serial Number decal is located on the back side of the top cover of the Bumper Lift.

Remember to use the model number and serial number when requesting machine information or to order replacement parts.

	<b>Freedom Vehicle Lifts, LLC.</b> 31355 Co. 5 Blvd, Lake City, MN 55041 <a href="http://www.freedomracelifts.com">www.freedomracelifts.com</a>
Model No.	<input type="text"/>
Mfg. Date	<input type="text"/>
Serial No.	<input type="text"/>
Lift Cap.	<input type="text"/>



## QR Code Location

You can use your mobile device to scan the QR Code. The mobile device will then navigate to the Freedom Race Lift website.

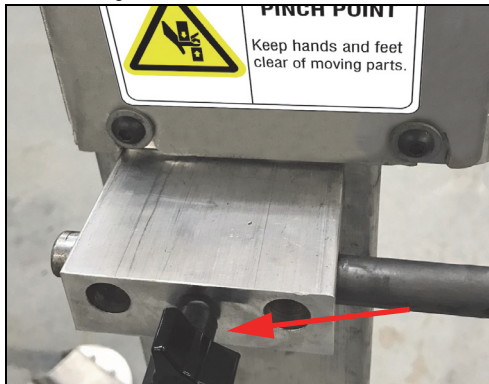




## Lift Setup/Operation

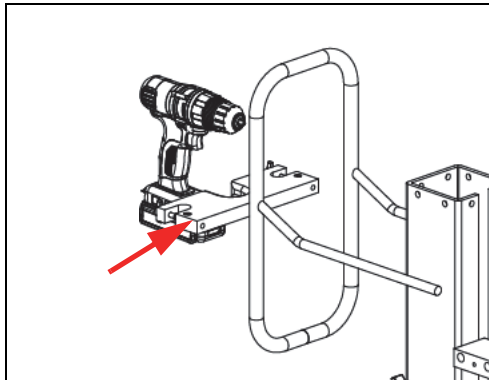
1. Tip the Bumper Lift onto its transport wheels and move it into the lift position ensuring lift is on a level, stable, solid surface.
2. Ensure the lift beam is in line with an appropriate vehicle structure that is able to hold the weight of the vehicle.
3. Using a customer supplied 18-40 volt cordless drill in good working condition, insert and lock drill chuck onto hex input drive shaft located at the top of the lift. A deep well 7/16" socket may also be used to engage the hex drive shaft.
4. Use the knobs on each side of the Lift to adjust the Lift handle to engage with the drill driver.

**FIGURE 1. Lift Handle Adjustment Knob**



5. Ensure the drill handle is between the drill holster opening to prevent drill from spinning during the lift operation. Secure drill with provided Strap.

**FIGURE 2. Lift Handle Adjustment Knob**



6. Set the drill to slow speed forward (clockwise) and slowly press the trigger watching to ensure the lift beam makes solid contact with the vehicle lift points. Once contact is made, continue to press drill trigger to lift the vehicle to the desired working height.

**FIGURE 3. Lift Handle Adjustment Knob**



**WARNING**

A pinch point exists between the Lift Carriage Roller and Mast. Keep hands and fingers clear of this area when raising Lift.

**IMPORTANT**

**NOTE:** As the lift raises, the safety catch will engage and disengage with the slots in the mast. In addition, an internal anti-reverse rotation mechanism located under the top cover prevents lift from lowering once the drill trigger is released.



**WARNING**

For maximum safety, place auxiliary jack stands under vehicle to provide additional support and stability.



**WARNING**

Do Not use an Impact Driver on this equipment as it could cause damage to the lift drive components.

7. Check to be sure it is clear of people and animals under the vehicle before lowering the lift.

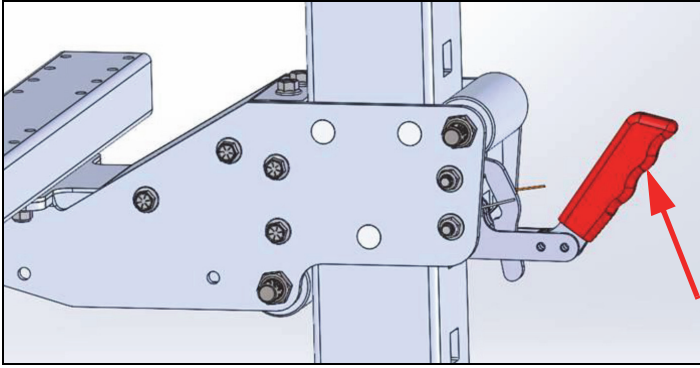


**WARNING**

Always make sure to check under the vehicle to make sure it is clear of people and animals before lowering the lift.

8. To lower the Lift, set the drill rotation to reverse (counter clockwise).
9. Release the Safety Catch with the Safety Catch release handle by pushing up on the handle and locking into place. This disengages the Safety Catch while the Lift is lowering.

**FIGURE 4. Safety Catch Release Handle**



**CAUTION**

Failure to disengage the Safety Catch will prevent the Lift from lowering and put undue stress on the operators hand, drill, and Lift.

10. Lower the Lift to the down position being careful not to drive the lift lower than its minimum down position as displayed on the Mast.



**CAUTION**

Trying to drive the Lift Higher or Lower than its maximum or minimum upper and lower limits will put undue stress on the operators hand, drill, and Lift.



**CAUTION**

Lift Carriage must be lowered fully in order for the Safety Catch Release to Reset. Do not attempt to raise lift unless Safety Catch has been reset. Safety Catch may be reset manually when not in the minimum lowest position by lifting up on the Release Lever and allowing Safety Catch to rest fully against Mast.



## Periodical Maintenance

1. Keep the Freedom Race Lift free of dirt, water, or other debris.
2. Periodically inspect miter gears under top cover. Clean and coat miter gears with a Moly Additive Based Grease.
3. Periodically inspect Anti-Reverse Rotation mechanism located under top cover. The “Star” component of the mechanism should turn freely when Lift is raising, but should be stopped from rotating by the “Rocker” when lowering the lift.



### WARNING

**Never operate the Freedom Race Lift if the Anti-Reverse Rotation mechanism is not operating properly. The Anti Reverse Rotation mechanism prevents the Lead Screw in the Mast from turning freely in reverse due to the load on the Lift. Contact an Authorized Service Center for further information.**

4. Periodically inspect the lead screw and nut inside mast. Lead screw can be viewed through the open slot in the mast. Blow off dirt, debris, and other build up on lead screw with high pressure air and lightly coat with a spray cleaner/lubricant such as WD-40. Lubricate lead screw nut via grease fitting with a Moly Additive Based Grease yearly.
5. Periodically inspect Lift Carriage Support Rollers. Keep free of any debris.
6. Periodically inspect Safety Catch and Safety Catch Release for proper operation.



### WARNING

**Never operate the Freedom Race Lift without the Safety Catch in proper operating condition. The Safety Catch along with the Lead Screw Anti-Reverse Rotation mechanism prevents the lift from lowering. Contact an Authorized Service Center for further information.**

7. Periodically check Transport Wheel Tires for proper inflation. Fill to manufacturers pressure specifications.



### WARNING

**Do Not perform any type of maintenance on the lift while under load.**

# General Maintenance Guide

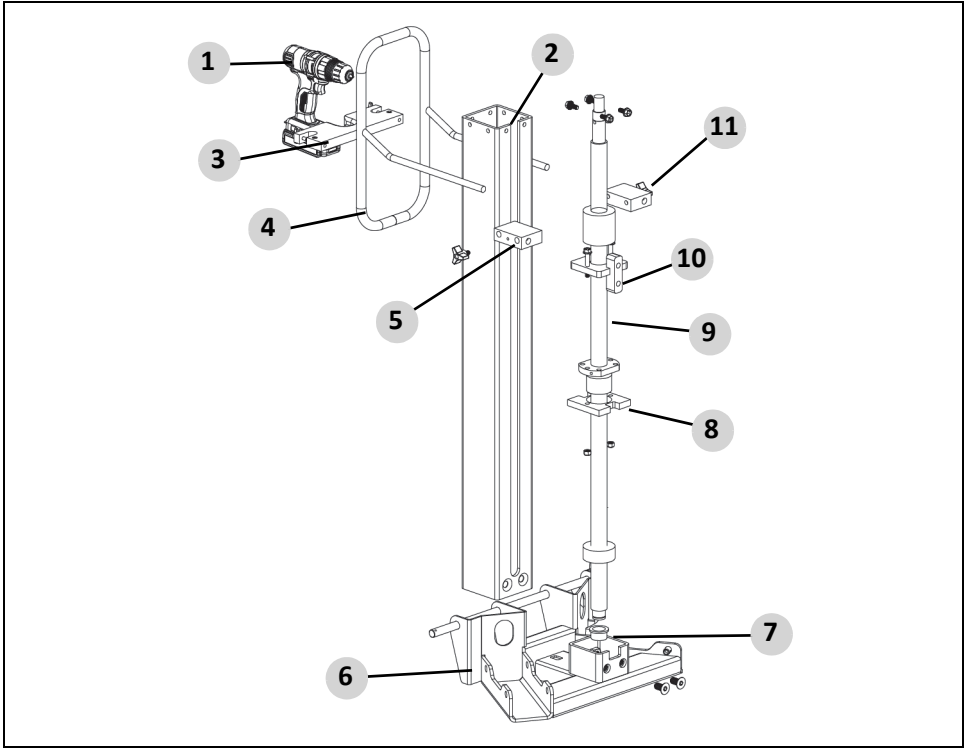
Some of the Freedom Race Lift components are minimum maintenance and do not require much service. Follow the chart for the components that require set service intervals. Refer to Lift Component and Replacement Part Diagrams for Component locations.

Component(s)	Maintenance Task	Service Type	Interval
Lead Screw	Clean with compressed air and light coating of cleaner	WD-40	Weekly
Miter Gears	Clean and coat Miter Gears with a Moly additive grease.	Moly Additive Based Grease	Yearly
Lead Screw Nut	Clean and coat Miter Gears with a Moly additive grease.	Moly Additive Based Grease	Yearly
Safety Catch/ Safety Catch Release	Keep Safety Catch and Safety Catch Release free from dirt and debris	Compressed Air / WD-40	Weekly
Wheel/Tires	Check Transport Wheel Tires for proper inflation, fill to manufactures pressure specifications	Compressed Air	Monthly
Lift Carriage Support Rollers	Keep free of any debris with compressed air, wipe down.	Wipe Down WD-40	Weekly
Anti-Reverse Rotation Mechanism	Clean the Star to turn freely when raising the Lift. Stops rotating by the Rocker when Lift lowers.	Compressed Air, WD-40 Lubricant	Monthly
Freedom Race Lift	Keep the Lift free of dirt, water, other debris	Wash and wipe down with compressed air to dry	As Required

# REPLACEMENT PARTS

## Mast And Gear Shaft Assembly

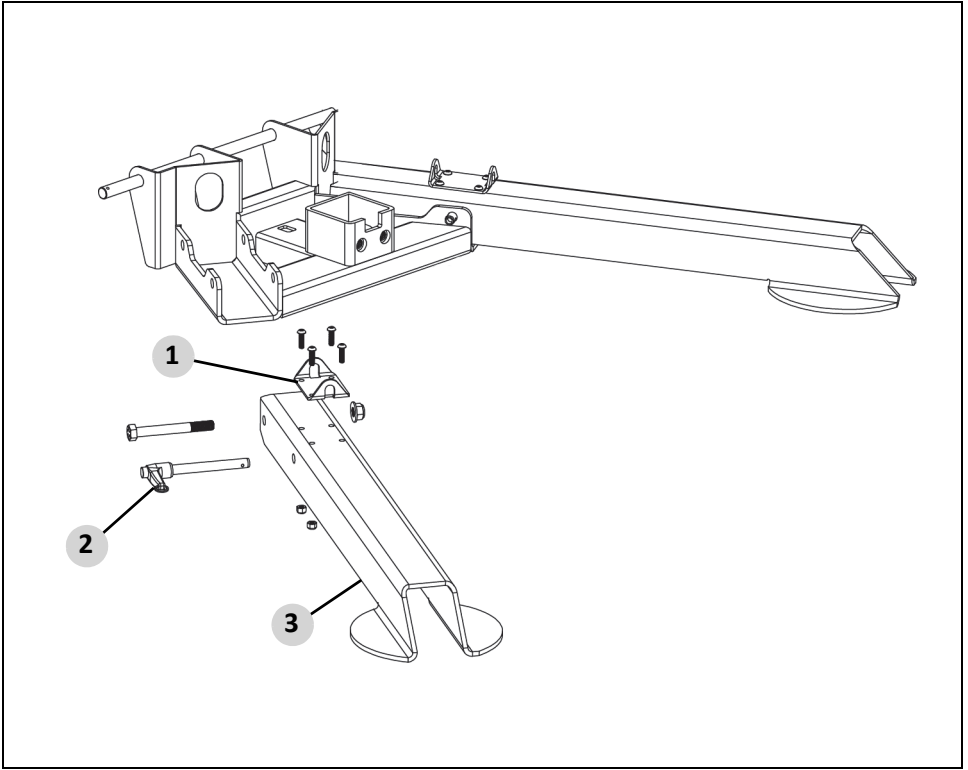
FIGURE 1. Mast And Gear Shaft Assembly



ITEM NO.	PART NO.	DESCRIPTION	QTY.
	B25-100	BUMPER LIFT ASSEMBLY V030	1
1	NA	CUSTOMER SUPPLIED DRILL/DRIVER	1
2	B25-004	MAST TUBE 4X4	1
3	B25-070	DRILL HOLSTER ASSY	1
4	B25-020	HANDLE WELDMENT	1
5	B25-067	HANDLE SPACER	2
6	B25-011	BASE WELDMENT	1
7	6338K436	OIL EMBEDDED FLANGED SLEEVE BEARING	1
8	B25-029	JACK NUT GUIDE PLATE	1
9	B25-SFU3205	BUMPER LIFT LEAD SCREW	1
10	B25-028	LIFT PLATE WELDMENT	1
11	57715K72	PLASTIC THREE ARM KNOB	2

# Stabilizing Leg Assembly

**FIGURE 2. Stabilizing Leg Assembly**

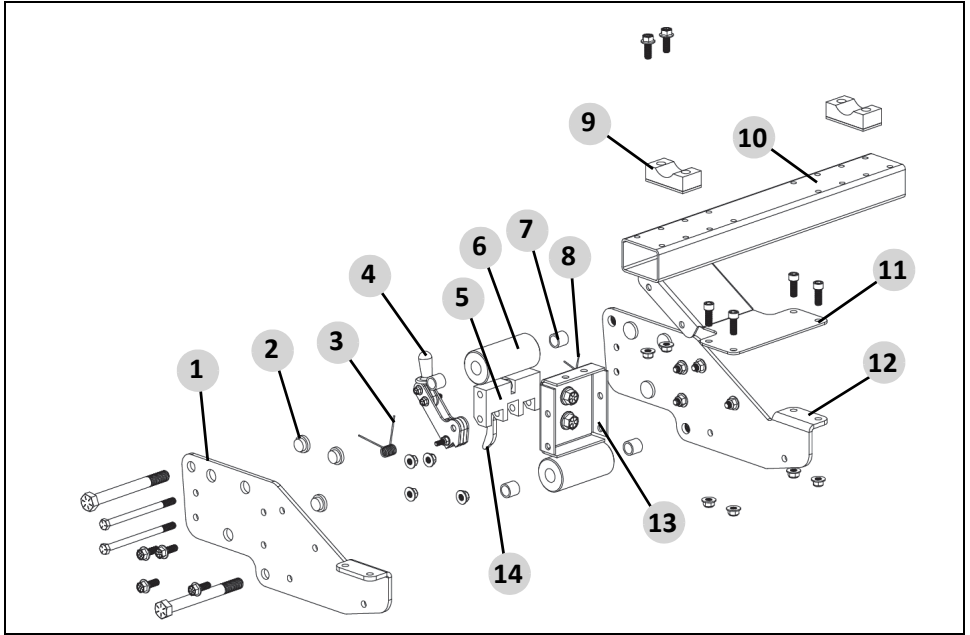


ITEM NO.	PART NO.	DESCRIPTION	QTY.
1	B25-048	PIN HOLDER	1
2	90302A495	L-HANDLE LOCKING QUICK-RELEASE PIN	2
	B25-060	STABILIZING LEG ASSEMBLY	2
3	B25-059	STABILIZING LEG-FORMED	1



# Lift Carriage Assembly

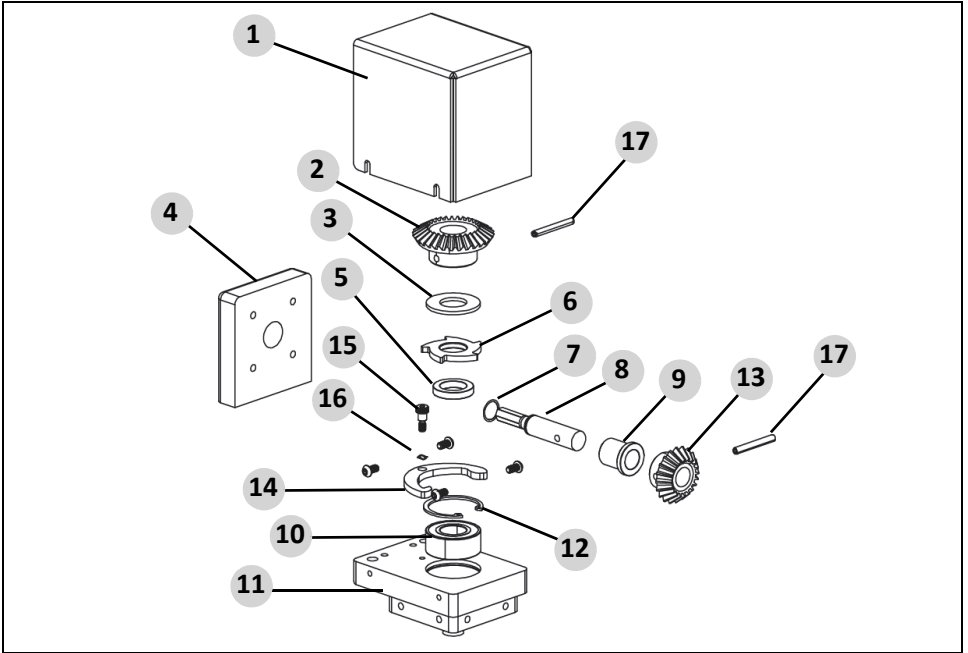
FIGURE 3. Lift Carriage Assembly



ITEM NO.	PART NO.	DESCRIPTION	QTY.
	B25-050	LIFT CARRIAGE ASSEMBLY	1
1	B25-002	CARRIER SIDE PLATE, RH	1
2	B25-035	SLIDER GUIDE	6
3	9271K414	TORSION SPRING	1
4	B25-040	SAFETY CATCH ASSEMBLY	1
5	B25-036	REAR CROSS PLATE	1
	B25-055	ROLLER ASSEMBLY	2
6	B25-009	ROLLER, 2" DIA	2
7	6391K253	OIL EMBEDDED BRONZE SLEEVE BEARING	4
8	9271K409	TORSION SPRING	1
9	B25-V030	BUMPER PAD	2
10	B25-006	BOX LIFT BEAM, 2X3	1
11	B25-005	COVER PLATE	1
12	B25-003	CARRIER SIDE PLATE, LH	1
	B25-047	LIFT PLATE FORMED	1
13	B25-028	LIFT PLATE WELDMENT	1
14	B25-045	SAFETY CATCH LATCH	1

# Gear Box Assembly

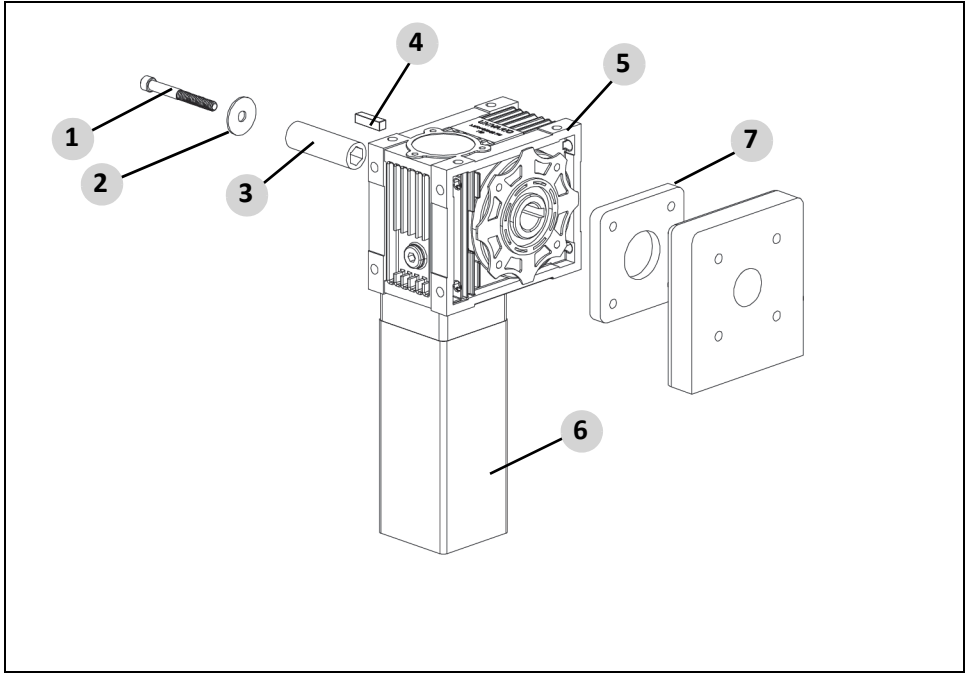
FIGURE 4. Gear Box Assembly



ITEM NO.	PART NO.	DESCRIPTION	QTY.
1	B25-051	GEAR COVER	1
2	SB2-5-3020	HORIZONTAL MITER GEAR	1
3	5906K524	OIL EMBEDDED THRUST BRONZE BEARING	1
4	B25-058	VERTICAL MITER GEAR BRACKET	1
5	B25-068	BEARING SPACER	1
6	B25-022	RATCHET PLATE	1
7	91665A440	HEAVY DUTY SPIRAL EXTERNAL RETAINING RING	1
8	B25-025	INPUT SHAFT	1
9	6338K434	OIL EMBEDDED FLANGED SLEEVE BEARING	1
10	52052RS	BALL BEARING, 25MM ID	1
11	B25-057	HORIZONTAL MITER GEAR BRACKET	1
12	98455A362	INTERNAL RETAINING RING	1
13	SB2-5-2030	VERTICAL MITER GEAR	1
14	B25-023	RATCHET CATCH	1
15	91259A175	ALLOY STEEL SHOULDER SCREW	1
16	90134A029	STEEL TRIPLE WAVE WASHER	1
17	95755A423	ROLL PIN	2

# Power Unit

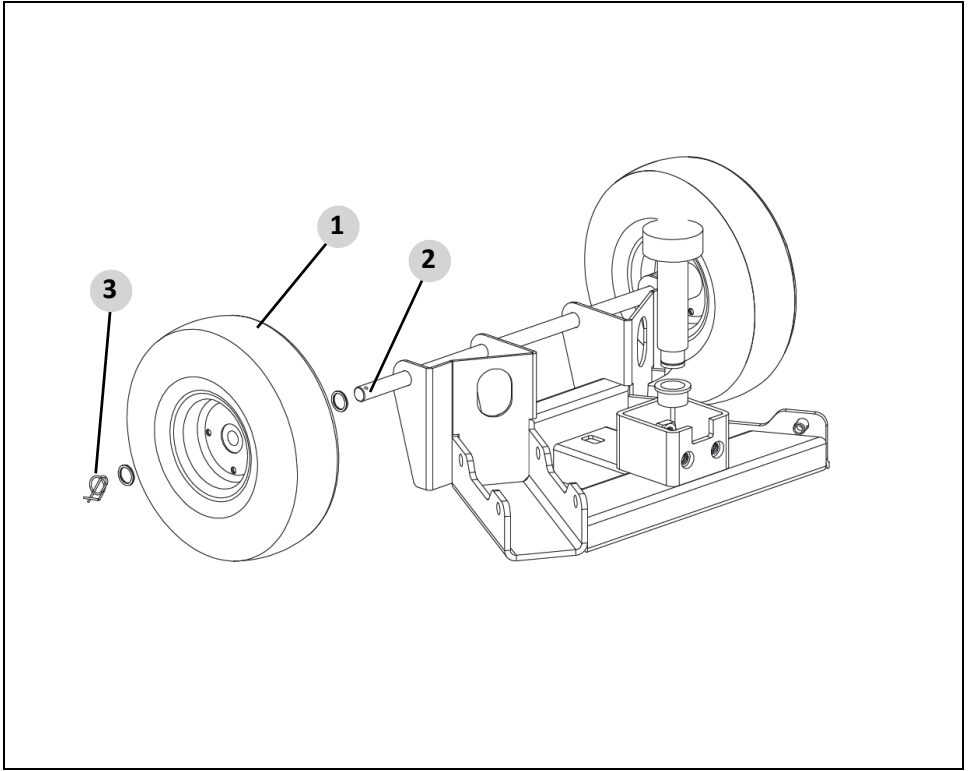
FIGURE 5. Power Unit



ITEM NO.	PART NO.	DESCRIPTION	QTY.
1	B25-000	BOLT	1
2	B25-000	WASHER	1
3	B25-000	MOTOR SHAFT ADAPTER	1
4	B25-000	KEYWAY	1
5	B25-000	90 DEGREE PLANETARY GEARBOX	1
6	B25-000	POWER DRIVE MOTOR	1
7	B25-000	MOTOR ADAPTER	1

# Wheel / Axle Assembly

FIGURE 6. Wheel / Axle Assembly




ITEM NO.	PART NO.	DESCRIPTION	QTY.
1	B25-000	TIRE ASSEMBLY 4.10-3.50-4	2
2	B25-033	AXLE 5/8" DIA	1
3	98335A670	SPRING STEEL COTTER PINS, ZINK PLTD 1050-1095	2

# Decals-1

FIGURE 7. Decals

**1**




**! WARNING**

**PINCH POINT**

Keep hands and feet clear of moving parts.

**2**



**! WARNING**

**CRUSHING HAZARD**

NEVER operate the lift without the Safety Catch and lead screw Anti-Reverse Mechanism in proper operating condition.


**3**

**! WARNING**

**TO AVOID THE RISK OF ACCIDENTS, INJURY, OR DEATH:**

- Read Operator's Manual and follow all safety precautions.
- Study, understand and follow all instructions before operating this lift.
- Lower the support arms and install the locking pins before using the lift.
- Keep the operational area clear of people and animals while the lift is in use.
- Do not exceed the rated capacity of the lift.
- Make sure all shields and guards are properly installed.
- Use only on solid, stable, level surface to prevent vehicle from tipping off of lift.
- Block vehicle wheels and add additional jack stands to support the lifted vehicle.
- Do not move or dolly the vehicle while on the lift.
- Lift only on areas of the vehicle that are structurally able to withstand the load.
- No alterations shall be made to this product.
- Failure to heed these instructions may result in personal injury and/or property damage.

**4**




**! WARNING**

**AVOID INJURY OR DEATH**

Never operate the lift without the support arms down and the lock pins installed.

**5**



**Freedom Vehicle Lifts, LLC.**

31355 Co. 5 Blvd.  
Lake City, MN 55041  
[www.freedomracelifts.com](http://www.freedomracelifts.com)

**Model No.**

**Mfg. Date**

**Serial No.**

**Lift Cap.**

ITEM NO.	PART NO.	DESCRIPTION	QTY.
1	FLD-005	PINCH POINT DECAL	1
2	FLD-004	CRUSHING HAZARD DECAL	1
3	FLD-009	TO AVOID RISK DECAL	1
4	FLD-006	AVOID INJURY OR DEATH DECAL	1
5	FLD-001	SERIAL NUMBER PLATE DECAL	1

# Decals-2

FIGURE 8. Decals



ITEM NO.	PART NO.	DESCRIPTION	QTY.
1	FLD-007	PINCH POINT DECAL	1
2	FLD-008	CRUSHING HAZARD DECAL	1
3	FLD-002	QR CODE DECAL	1
4	FLD-003	ROTATION DECAL	1



## WARNING

Instructions are necessary before operating or servicing this equipment. Read and understand the Operation & Maintenance Manual and the decals. Follow warnings and instructions in the manual when making repairs, adjustments or servicing. Check for correct function after adjustments, repairs or service. Untrained operators and failure to follow instructions can cause injury or death.

Use the following chart to assist troubleshooting the Freedom Race Lift. The chart shows a list of symptoms, possible causes, and corrective actions to return the Lift to normal operation.

Symptom	Possible Causes	Corrective Action
Lift will not lift vehicle	Drill or Power Unit Battery needs charging. Load exceeds lift capability (2500 lbs)	Charge battery. Do not exceed Lift load capability (2500 lbs)
Lift reverses under load	Anti-Reverse Rotation mechanism not engaging	Inspect and perform maintenance
Safety Catch will not disengage	Lift load is resting on Safety Catch	Raise Lift slightly to allow Safety Catch to disengage freely with Safety Catch Release Handle
Lift will not lower	Safety Catch is engaged	Disengage Safety Catch using Safety Catch Release





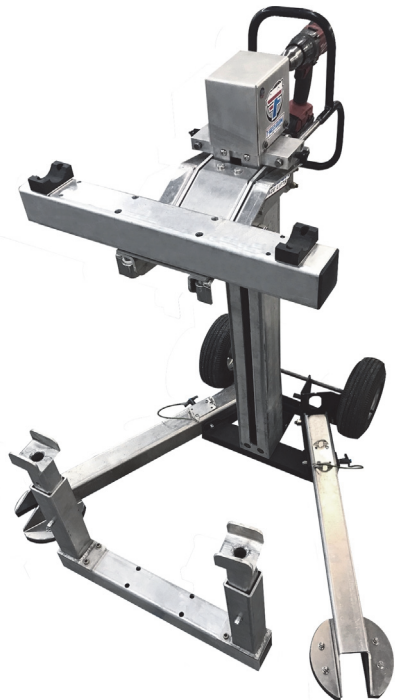
# ONE YEAR LIMITED WARRANTY

For a period of one (1) year from date of purchase, Freedom Vehicle Lifts, LLC will repair or replace, at its option, without charge, any of its products which fail due to a defect in material or workmanship under normal usage. This limited warranty is a consumer's exclusive remedy

Performance of any obligation under this warranty may be obtained by returning the warranted product, freight prepaid, to Freedom Vehicle Lifts, LLC Warranty Service Department, 31355 Co. 5 Blvd, Lake City, MN 55041, except where such limitations and exclusions are specifically prohibited by applicable law.

1. THE CONSUMER'S SOLE AND EXCLUSIVE REMEDY SHALL BE THE REPAIR OR REPLACEMENT OF DEFECTIVE PRODUCTS AS DESCRIBED ABOVE.
2. FREEDOM VEHICLE LIFTS, LLC SHALL NOT BE LIABLE FOR ANY CONSEQUENTIAL OR INCIDENTAL DAMAGE OR LOSS WHATSOEVER.
3. ANY IMPLIED WARRANTIES, INCLUDING WITHOUT LIMITATION THE IMPLIED WARRANTIES OF MERCHANTABILITY AND FITNESS FOR A PARTICULAR PURPOSE, SHALL BE LIMITED TO TWO YEARS, OTHERWISE THE REPAIR, REPLACEMENT, OR REFUND AS PROVIDED UNDER EXPRESS LIMITED WARRANTY IS THE EXCLUSIVE REMEDY OF THE CONSUMER, AND IS PROVIDED IN LIEU OF ALL OTHER WARRANTIES, EXPRESSED OR IMPLIED.
4. ANY MODIFICATION, ALTERATION, ABUSE, UNAUTHORIZED SERVICE, OR ORNAMENTAL DESIGN VOIDS THIS WARRANTY AND IS NOT COVERED BY THIS WARRANTY.

Some states do not allow limitations on how long an implied warranty lasts, so the above limitation may not apply to you, the consumer. Some states do not allow the exclusion or limitation of incidental or consequential damages, so the above limitation or exclusion may not apply to you, the consumer. This warranty gives you specific legal rights, and you may have other rights which vary from state to state.









31355 Co. 5 Blvd,  
Lake City, MN 55041

Website: [www.freedomracelifts.com](http://www.freedomracelifts.com)